

Galileo®



1564 - 1642

GALILEO CC-2800 OPERATING INSTRUCTIONS

INTRODUCTION

THIS TELESCOPE HAS BEEN CORRECTED AGAINST CHROMATIC ABERRATION AND PRODUCED TO PRECISE SPECIFICATIONS.

PRIOR TO USING YOUR NEW GALILEO TELESCOPE, PLEASE READ THE FOLLOWING SETUP AND USAGE INSTRUCTIONS. IT IS IMPORTANT TO PROPERLY ASSEMBLE YOUR TELESCOPE TO FUNCTION PROPERLY.

CONSIDER USING THE TELESCOPE FOR EARTH, TERRESTRIAL, VIEWING BEFORE ATTEMPTING TO VIEW ASTRONOMICAL OBJECTS. THIS WILL FAMILIARIZE YOU WITH HOW POWERFUL EACH EYEPIECE WILL BE, AS WELL AS INTRODUCE YOU TO THE FUNCTIONS OF YOUR ACCESSORY LENSES.

DUE TO THE STAR DIAGONAL PRISM POSITIONED IN THE FOCUS HOUSING, THE IMAGE YOU SEE WILL ALWAYS BE OPTICALLY CORRECT, RIGHT SIDE UP.

WE RECOMMEND YOU BEGIN WITH THE LOWEST POWER EYEPIECE, 20MM, WHEN USING YOUR TELESCOPE. AS YOU INCREASE THE POWER TO 6MM, YOUR POWER WILL BE HIGHER, BUT THE IMAGE WILL APPEAR DARKER. THIS IS DUE TO THE BASIC PHYSICAL PROPERTIES OF THE TELESCOPE. THE HIGHER THE POWER YOU USE, THE DARKER THE IMAGE WILL APPEAR AND YOUR VIEWING FIELD WILL BE MORE NARROW.

PLEASE BE PATIENT WHEN USING YOUR TELESCOPE. IT IS VERY SENSITIVE INSTRUMENT THAT IS CAPABLE OF USING HIGH POWERS. HOWEVER, THE MORE POWER YOU USE, THE MORE SENSITIVE THE TELESCOPE BECOMES. AS A RESULT THE SLIGHTEST MOVEMENT OF THE TELESCOPE COULD CAUSE YOU TO LOSE THE IMAGE YOU HAVE IN YOUR EYEPIECE. PRACTICE WILL ENABLE YOU TO KNOW HOW MUCH MOVEMENT TO EXPECT WITH EACH EYEPIECE AND ITS CORRESPONDING POWER.

GETTING THE MOST FROM YOUR TELESCOPE

TAKE THE TIME TO BECOME FAMILIAR WITH YOUR NEW TELESCOPE. THE NAMES OF THE VARIOUS PARTS, WHERE THEY ARE LOCATED AND THEIR FUNCTION. IT IS BEST TO PERFORM THESE FUNCTIONS DURING THE DAY TIME.

WHEN SETTING UP FOR A VIEWING SESSION, PLACE THE TELESCOPE IN AN AREA SHELTERED FROM THE WIND IF POSSIBLE. THE BEST NIGHT TIME VIEWING WILL BE AWAY FROM CITY LIGHTS AND WHEN THE ATMOSPHERE IS "STEADY".

WITH A LITTLE PRACTICE YOU WILL LEARN TO JUDGE WHEN VIEWING CONDITIONS ARE GOOD. LOOK FOR THE NIGHTS WHEN THE STARS SHINE BRIGHTLY WITH LITTLE OR NO TWINKLING.

USE LOW POWER TO TAKE ADVANTAGE OF THE WIDER FIELD OF VIEW AND BRIGHTER IMAGE. RESERVE YOUR HIGHER POWERS FOR THOSE NIGHTS WHEN THE VIEWING CONDITIONS ALLOW FOR DETAILED OBSERVATIONS.

LASTLY, SPEND SOME TIME WITH YOUR LOCAL ASTRONOMY CLUB, YOU CAN LEARN MORE IN ONE HOUR WITH AN EXPERIENCED ASTRONOMER THAN YOU CAN IN A MONTH OF CASUAL VIEWING.

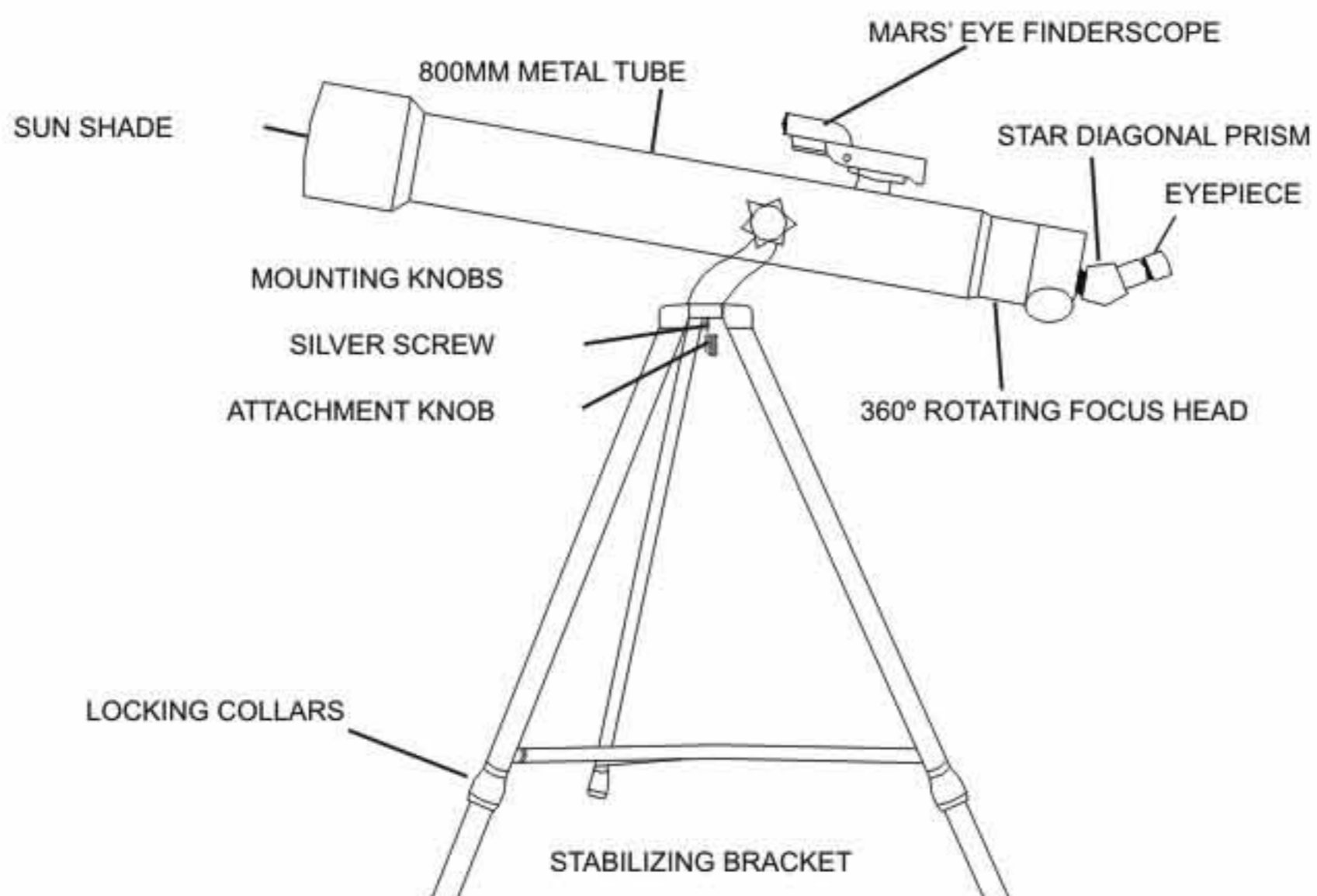
GALILEO CC2800 ACCESSORIES

- A. LIGHT WEIGHT ALUMINUM TRIPOD.
ALLOWS FOR LIGHT WEIGHT TRANSPORTATION AND UPRIGHT VIEWING.
- B. EYEPIECES.
6MM= 133X MOST POWERFUL / LEAST BRIGHTNESS
20MM= 40X LOWEST POWER / BRIGHTEST IMAGE
- C. 3X BARLOW.
USED TO INCREASE THE POWER OF ANY GIVEN EYEPIECE BY 300%. FOR EXAMPLE THE 20MM IS 4X POWER AND WITH THE 3X BARLOW IT IS 120X POWER.
- D. DIAGONAL PRISM.
ALLOWS FOR AN OPTICALLY CORRECT UPRIGHT IMAGE THROUGH YOUR TELESCOPE AT ALL TIMES.
- E. ALTITUDE ADJUSTMENT ROD.
ALLOWS FOR FINE ALTITUDE ADJUSTMENT OF YOUR TELESCOPE.
- F. ELECTRONIC MARS' EYE FINDERSCOPE.
ALLOWS FOR EASY SPOTTING OF OBJECTS.

GALILEO Cc2800 ASSEMBLY INSTRUCTIONS

- 1) REMOVE PRE-ASSEMBLED LIGHT WEIGHT TRIPOD.
- 2) ADJUST TRIPOD TO PROPER HEIGHT BY LOOSENING, ADJUSTING AND TIGHTENING LOCKING COLLARS.
- 3) PUSH DOWN ON CENTER STABILIZING BRACKET TO INSURE OPTIMUM STABILITY.
- 4) REMOVE TELESCOPE TUBE WITH MOUNT ATTACHED FROM BOX.
- 5) UNSCREW TRIPOD ATTACHMENT KNOB AND SET ASIDE.
- 6) PLACE TELESCOPE WITH MOUNT ATTACHED ON TO TRIPOD. SILVER BOLT SHOULD GO DIRECTLY THROUGH TOP OF TRIPOD.
- 7) TAKE ATTACHMENT KNOB AND SCREW IT ON TO SILVER BOLT.
- 8) REMOVE MARS' EYE FINDERSCOPE FROM SMALL ACCESSORY BOX AND SLIDE ON TO DOVE TAIL MOUNT. PLEASE SEE INSTRUCTION'S PAGE 8 FOR MARS' EYE FINDERSCOPE ALIGNMENT.

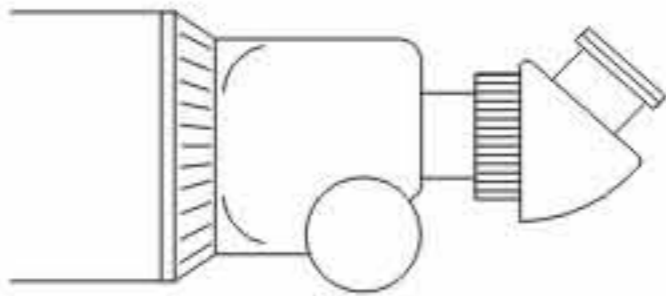
GALILEO CC-2800 ASTRO TERRESTRIAL TELESCOPE



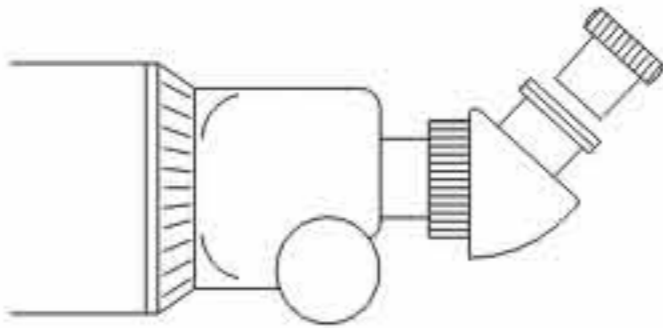
HOW TO USE EYEPIECES & ACCESSORIES

PROPER PLACEMENT OF THE EYEPIECES AND ACCESSORIES ARE IMPORTANT IN ORDER TO ASSURE EASY OPERATION AND CLEAR VIEWING.

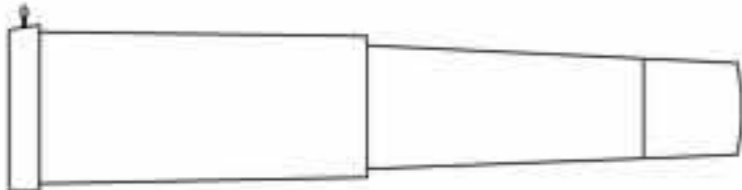
PLEASE CONSIDER USING YOUR ACCESSORIES IN THE FOLLOWING ORDER. BY DOING THIS YOU WILL BETTER UNDERSTAND THE IMPACT EACH INDIVIDUAL ACCESSORY HAS ON THE FUNCTION OF YOUR TELESCOPE.



1. FOCUSING THE TUBE - TURN FOCUSING WHEELS TOWARD THE TELESCOPE UNTIL IT WILL GO NO FURTHER. TO FOCUS BEGIN TO TURN THE FOCUSING KNOBS TOWARD YOUR BODY, SLOWLY, UNTIL THE IMAGE IS CLEAR. NOTE: YOU MUST HAVE AN EYEPIECE INSERTED IN ORDER TO VIEW IMAGE. PLEASE READ FURTHER.



2. EYEPIECE INSERTION - INSERT AN EYEPIECE INTO THE RECEIVING END OF THE DIAGONAL PRISM. WE SUGGEST YOU ALWAYS BEGIN WITH THE LOWEST POWER EYEPIECE (20MM). REMEMBER THE LOWER THE NUMBER ON THE EYEPIECE, THE HIGHER THE POWER YOUR TELESCOPE WILL BE USING. ALSO AS YOU INCREASE YOUR POWER YOU DECREASE THE FIELD OF VIEW AND THE BRIGHTNESS OF YOUR TELESCOPE. WE SUGGEST YOU ALWAYS USE THE LOWEST POWER REQUIRED TO VIEW YOUR SUBJECT.



3. BARLOW LENS - THE BARLOW LENS IS REQUIRED TO ACHIEVE THE MAXIMUM POWER FROM YOUR TELESCOPE. FIRST REMOVE THE DIAGONAL PRISM AND INSERT THE BARLOW LENS DIRECTLY INTO THE FOCUSING HOUSING. REMEMBER YOU WILL HAVE TO READJUST YOUR FOCUSING DUE TO THE FACT THAT YOU HAVE INCREASED / DECREASED THE POWER OF YOUR TELESCOPE.

MARS' EYE ELECTRONIC FINDERSCOPE MOUNTING & ALIGNMENT

TO MOUNT:

- 1) REMOVE MARS' EYE ELECTRONIC FINDERSCOPE FROM BOX.
- 2) LOOSEN THUMB SCREWS ON THE SIDE OF FINDERSCOPE AND SLIDE FINDERSCOPE ON TO THE UNIVERSAL DOVE TAIL MOUNT LOCATED ON THE TOP OF THE MAIN TELESCOPE TUBE.
- 3) TIGHTEN THUMB SCREWS.

TO ALIGN MARS' EYE FINDERSCOPE WITH MAIN TELESCOPE:

- 1) DURING THE DAY LIGHT HOURS, AIM THE MAIN TELESCOPE AT AN OBJECT AT LEAST A $\frac{1}{4}$ A MILE OR MORE IN THE DISTANCE AND BRING IN TO FOCUS.
- 2) ONCE YOU HAVE CENTERED THE REFERENCE ITEM IN THE MAIN TUBE, TIGHTEN ALL KNOBS, AND ADJUSTMENTS TO PREVENT MOVEMENT.
- 3) REMOVE THE BATTERY SAVER LOCATED BENEATH THE FRONT OF THE FINDERSCOPE, BETWEEN THE CONTACT AND THE BATTERY. (BE SURE TO SAVE AND REPLACE THE BATTERY SAVER WHEN NOT IN USE.)
- 4) TURN THE FINDERSCOPE ON BY SLIDING ON/OFF SWITCH FORWARD. ON/OFF SWITCH IS LOCATED ON THE RIGHT SIDE OF THE FINDERSCOPE.
- 5) LOOK THROUGH THE FINDERSCOPE AND LOCATE THE RED DOT.
- 6) IF THE OBJECT IN THE MARS' EYE FINDERSCOPE IS NOT THE OBJECT YOU SEE THROUGH THE MAIN TELESCOPE TUBE, ADJUSTMENT IS REQUIRED.
- 7) TO MOVE THE RED DOT UP AND DOWN, SIMPLY TURN THE ELEVATION SCREW LOCATED ON REAR BOTTOM OF THE FINDERSCOPE TO THE HEIGHT REQUIRED.
- 8) TO MOVE THE RED DOT LEFT AND RIGHT, SIMPLY TURN THE WINDAGE SCREW LOCATED ON THE FRONT LEFT SIDE OF THE FINDERSCOPE TO THE PROPER POSITION.
- 9) THESE ADJUSTMENTS WILL ALLOW YOU TO POSITION THE RED DOT ON THE SAME OBJECT CENTERED IN THE MAIN TELESCOPE.

Galileo Limited One Year Warranty

We guarantee to replace or, at our option, repair any products or parts thereof which are found defective in material or workmanship during the first year from date of purchase. Our obligation with respect to such products or parts shall be limited to replacement or repair, F.O.B. Miami, and in no event shall we be liable for consequential or special damages or for transportation, installation, adjustment, or other expenses which may arise in connection with such products or parts. A \$15.00 fee to cover postage and handling is required with the return of the product. No expenses, warranties and implied warranties, whether or not merchantability of fitness for any particular use or otherwise (except as to title) other than these expressly set forth above which are made in writing and signed by an executive officer of our corporation.

NO LIABILITY FOR CONSEQUENTIAL DAMAGES, IN NO EVENT SHALL THE MANUFACTURER OR ITS SUPPLIERS BE LIABLE FOR ANY DAMAGES WHATSOEVER. BECAUSE SOME STATES DO NOT ALLOW THE EXCLUSION OR LIMITATION OF THE POSSIBILITY FOR CONSEQUENTIAL OR INCIDENTAL DAMAGES, THE ABOVE LIMITATIONS MAY NOT APPLY TO YOU.

GALILEO OPTICS
DIVISION DE DISCIPLINE MARKETING INC.
12395 S.W. 130St. #106. Miami, FL 33186

 Galileo

